



**IPC**

**Spare parts list**

Ref: ASDO02251

Cust.ref: 315/99CE

Model: VAC.CL.B.COMP.315 REM.CONTR.W/ACC.

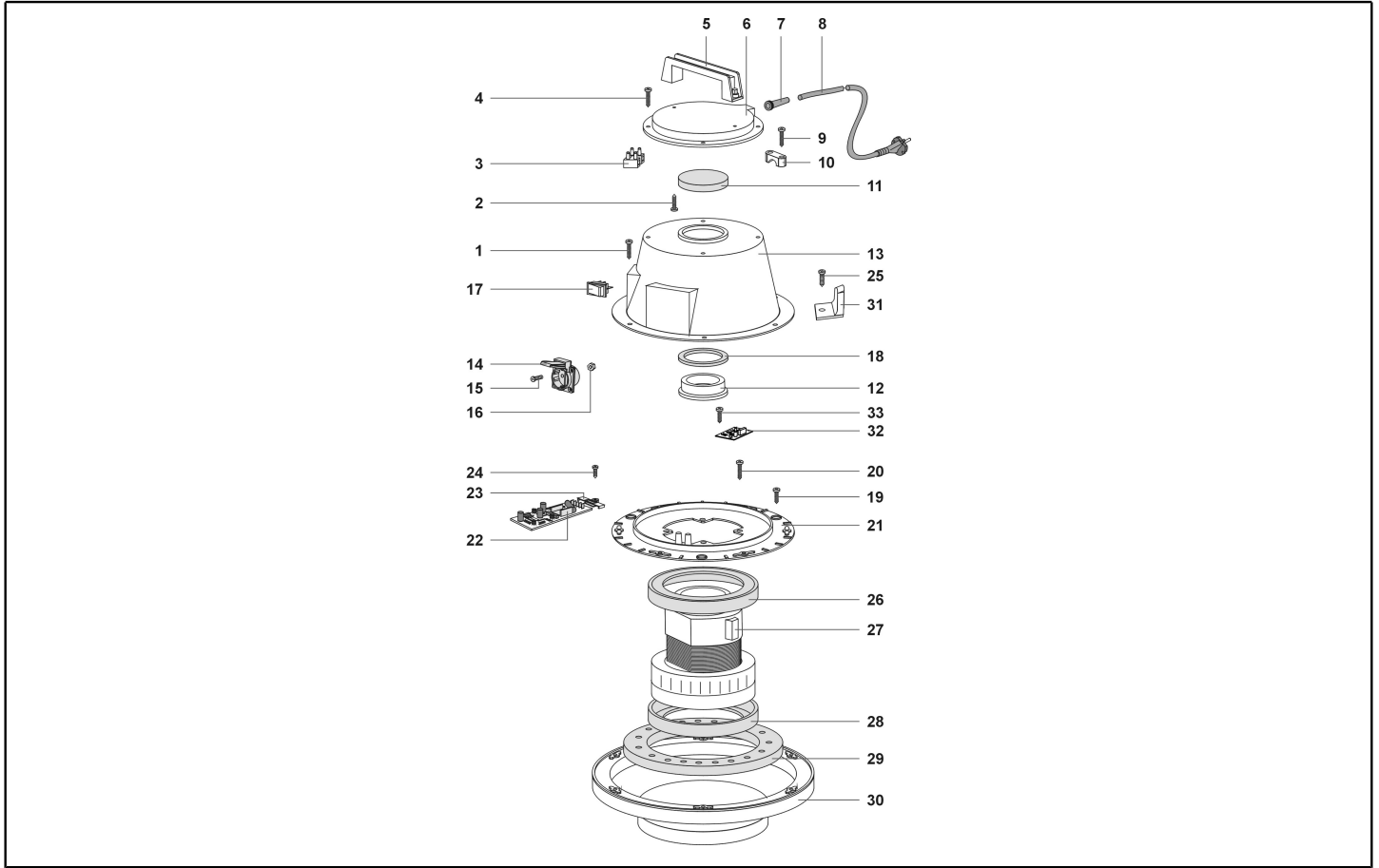
Cust.model: FOMA 174000



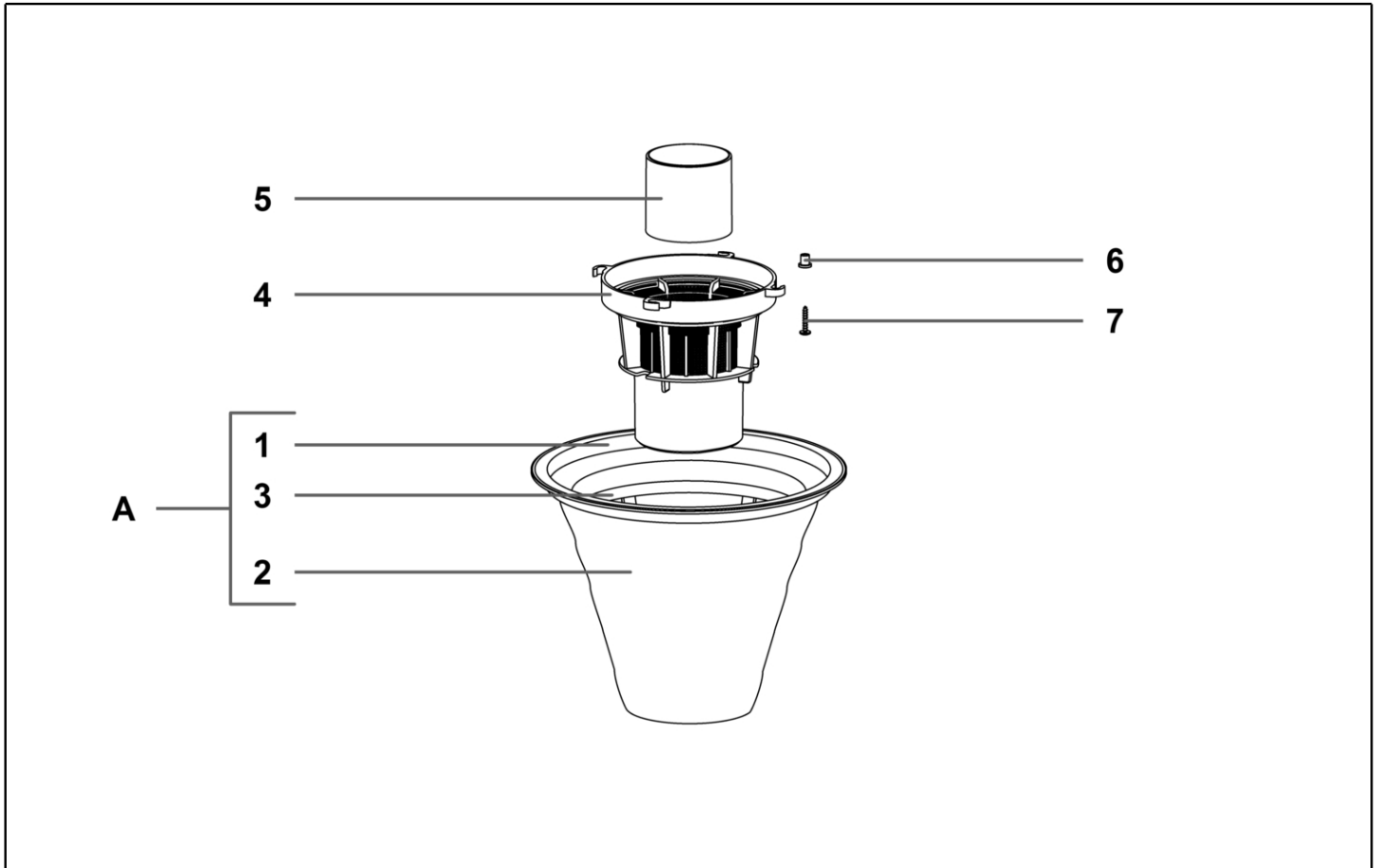
IPC Integrated Professional Cleaning

**IPC Soteco**

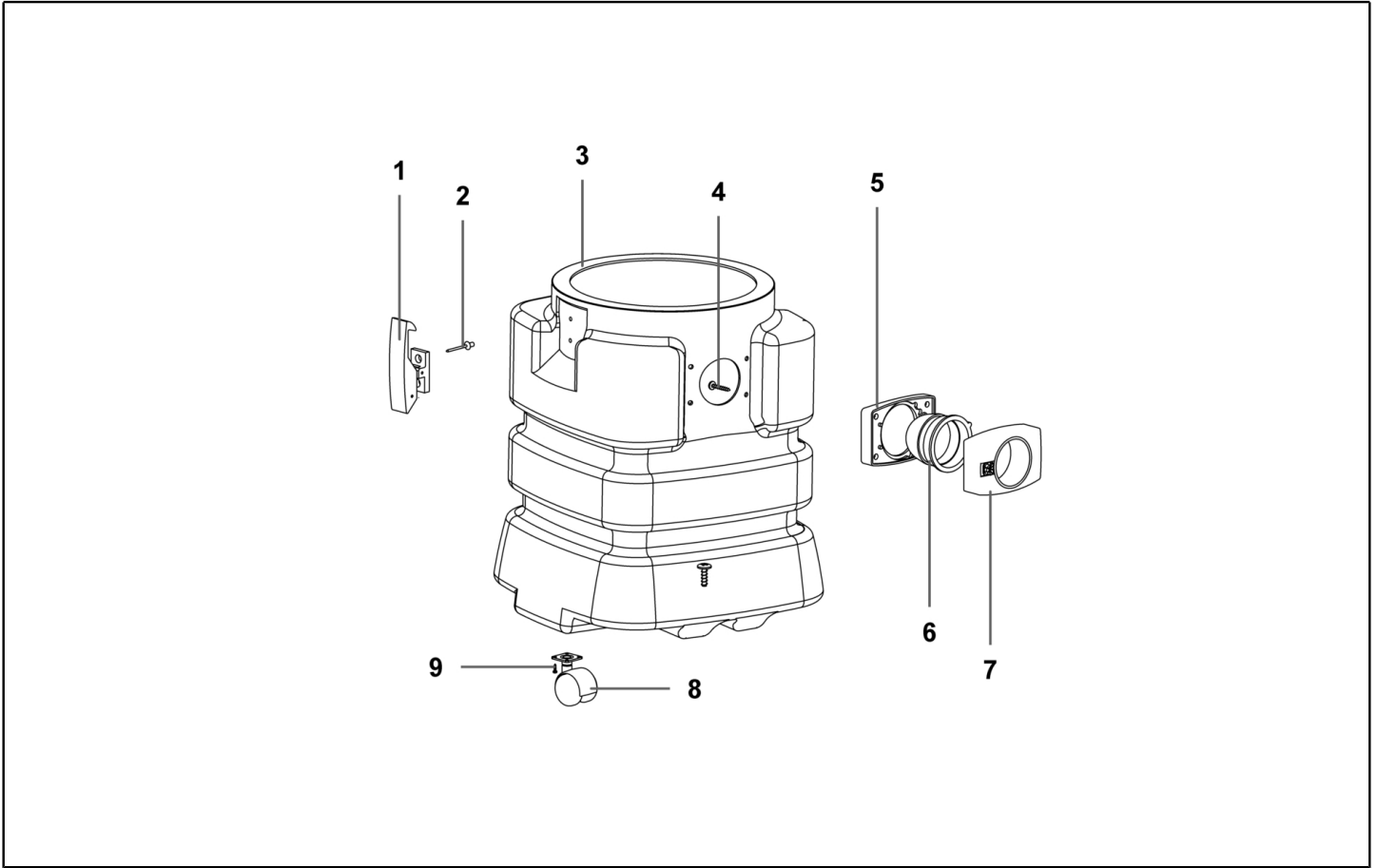
Ref. K	Part n.	Part n. 2	Description	Quantity	Validity		Price
					From	To	
0001	PMTA04063		HEAD B.315 TELEC. (FOMA)	1,00			--
0002	KTRI04336		FILTERING KIT 300 CON. SAN.COMPL.	1,00			--
0003	PMFU01285		TANK 300/S PLAST D.60 W/DEFLEC.2593	1,00			--
0004	PMDT00615			1,00			--



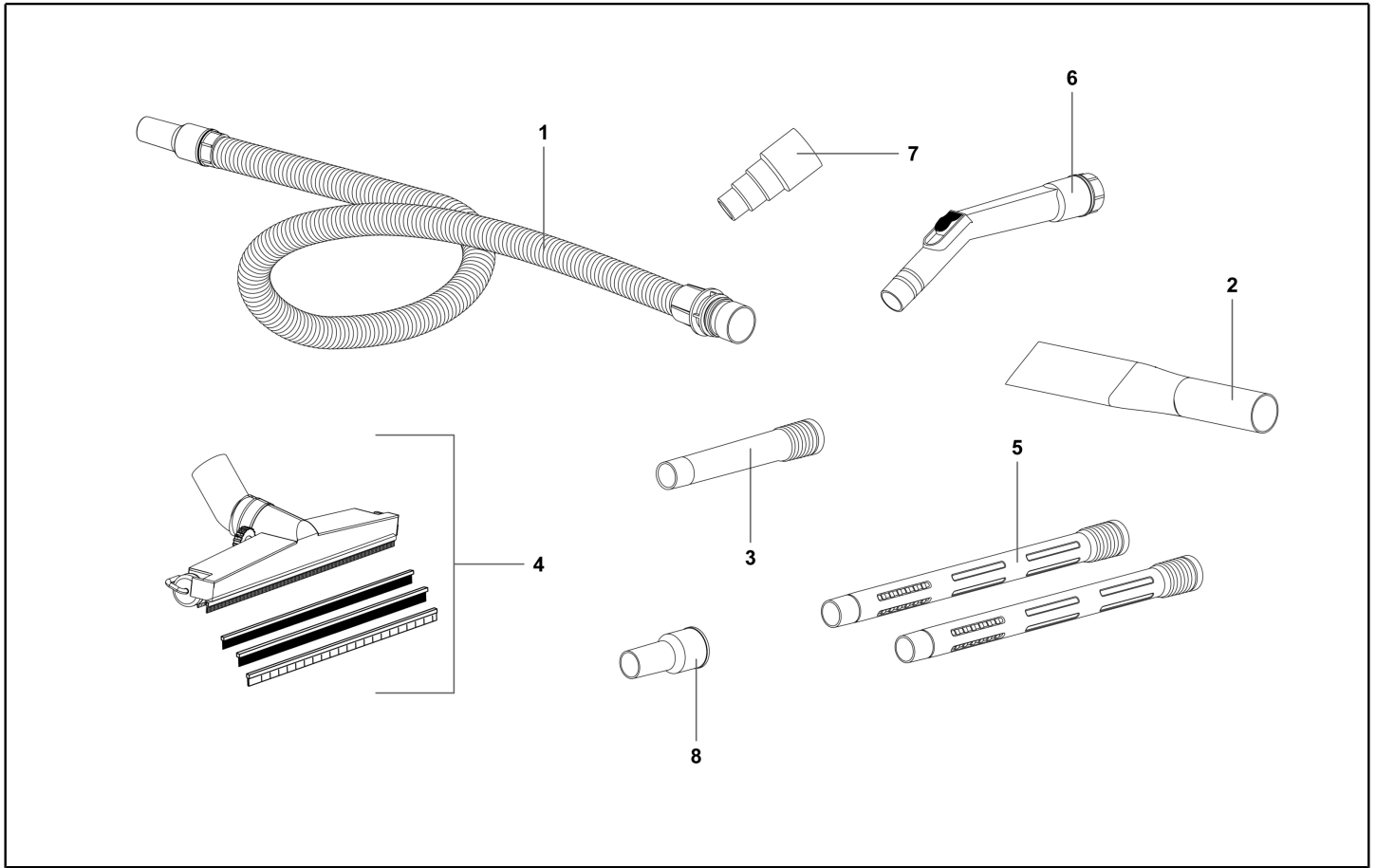
Ref. K	Part n.	Part n. 2	Description	Quantity	Validity		Price
					From	To	
*	MECB01677		CONN.WIRE M.350-G/V-SP9-SP9-S1,5	1,00			--
*	MEVR02225		FASTON COVER FOR ART.01103/C	2,00			--
*	MECB01828		WIRING 40CM MOTOR POKE-IN-TP	1,00			--
*	FSVR00127		CLAMP	4,00			--
0001	VTVT71961		SCREW PFU TMT PHL 5X20 ZN NERA	5,00			--
0002	VTVT71960		SCREW SCREW PAT TMT PHL 5X14 ZN	2,00			--
0003	MECB01772		TERMINAL BOARD 300-500 3P 4/C RAD	1,00			--
0004	VTVT71961		SCREW PFU TMT PHL 5X20 ZN NERA	4,00			--
0005	MPVR09405			1,00			--
0006	MPVR07506		GREEN COVER B.300 XRD-10	1,00			--
0007	MEVR28673		FAIRLEAD	1,00			--
0008	MECB28740		ELECTRIC CORD 3X1,5 MT 8,5	1,00			--
0009	VTVT71961		SCREW PFU TMT PHL 5X20 ZN NERA	2,00			--
0010	MPVR28690		CABLE CLAMP	1,00			--
0011	FTDP38064		FILTER MTP/65 H=15 D.95	1,00			--
0012	MPVR86282		RING MOTORE H=7 (15) PLAST.	1,00			--
0013	PMVR03330		COVERING B.315 TC XRD-10	1,00			--
0014	MEVR38061		SCHUKO ADD.SOCKET W/PROTECTION	1,00			--
0015	VTVT01192		SCREW TSP CROSS M 4X12 UNI 7688	4,00			--
0016	VTDD00242		NUT 4 M NYLON	4,00	01/02/2019		--
0017	MECI38052		COMMUTATOR ANTISPLASH	1,00			--
0018	MPVR38371		WASHER H8 D85X65	1,00			--
0019	VTVT71960		SCREW SCREW PAT TMT PHL 5X14 ZN	2,00			--
0020	VTVT71961		SCREW PFU TMT PHL 5X20 ZN NERA	4,00			--
0021	MPVR38366		MOTORFASTENER WET	1,00			--
0022	MECE00799		PCB TELECONTROL 2015 LEG	1,00	23/07/2018		--
0023	LAFN87310		CARD BLOCK BRACKET	2,00			--
0024	VTVT71961		SCREW PFU TMT PHL 5X20 ZN NERA	2,00			--
0025	VTVT72055		SCREW PFU TMT PHL 5X25 ZN BLACK	1,00			--
0026	GUGO28683		"L" GASKET W/O HOLES H=5,5	1,00			--
0027	MOMO28716		MOT.BD302 1000W 220-240V 50-60HZ	1,00			--
0028	GUGO28683		"L" GASKET W/O HOLES H=5,5	1,00			--
0029	FTDP38067		WASHER MTP 65MM 18D 230X145	1,00			--
0030	PMA00366		BASE 300 W/GASKET (GREY 6000)	1,00			--
0031	MPVR06686		UNI.CABLE HAN. UNIVERSAL	1,00			--
0032	MECE00676		PCB ANTIDISTURBO TLC 2015	1,00	22/01/2021		--
0033	VTVT71960		SCREW SCREW PAT TMT PHL 5X14 ZN	1,00	22/01/2021		--



Ref. K	Part n.	Part n. 2	Description	Quantity	Validity		Price
					From	To	
A	FTDP00079		FILTERING KIT ANELLO+FIL+CEST.300 CONIC	1,00			--
0001	MPVR35494		FILTER RING 300	1,00			--
0002	FTDP00534		FILTER POLY AN3-500 CON REG H230	1,00			--
0003	MPVR37038		CONICAL BASKET 300	1,00			--
0004	MPVR40521		NET ANTIFOAM BODY HIGH	1,00			--
0005	RCGR40008		HIGH FLOAT 99 W/GASKET 37 SHA	1,00			--
0006	MPVR35796		BUSHING PLASTIC SLEEVE D.8	4,00			--
0007	VTVT36751		SCREW SCREW PAT TMT PHL 5X25	4,00			--



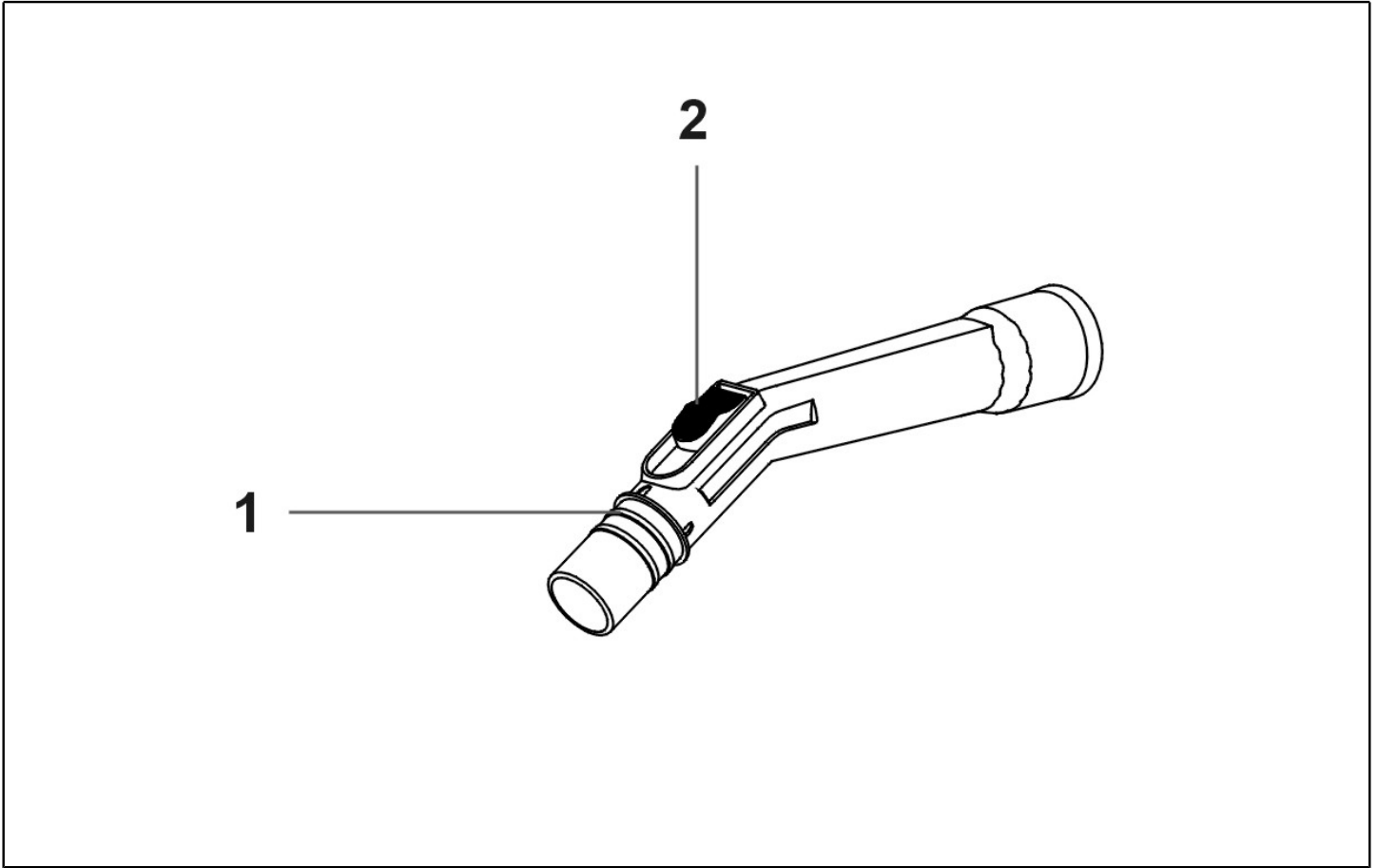
Ref. K	Part n.	Part n. 2	Description	Quantity	Validity		Price
					From	To	
0001	CHVR28735		COMPLETE PLASTIC HOOK BLACK	2,00	23/01/2018		--
0002	VTVR00340		RIVET 5X24,5	4,00			--
0003	MPVR06371		PLASTIC TANK 300/S GREY4000	1,00			--
0004	VTVT71971		SCREW PAT TMT PHL 5X35 BLACK	4,00			--
0005	MPVR08681		GASKET R 205 GREY 6000	1,00			--
0006	MPVR28696		DEFLECTOR 99	1,00			--
0007	MPVR09176		PIPE UNION 99/60 PLANE G6/GREE-IPC	1,00			--
0008	RTRT00444		WHEEL D.50 W/SQUARE STAT.	4,00			--
0009	VTVT72114		SCREW TC POZ 4X15 AC ZN BLACK	16,00			--



Ref. K	Part n.	Part n. 2	Description	Quantity	Validity		Price
					From	To	
0001	TBFX37775		COMPL.FLEX HOSE 38/99 MT.4,5	1,00			--
0002	SPPV72080		CHROME LANCE D.38	1,00			--
0003	PVVR00367		PLAST.EXTENTION D.38 L=250	1,00			--
0004	SPPV29369		COMBINED BRUSH D.38	1,00			--
0005	LAFN43048		EXTENSION FOR VACUUM CLEANER	2,00			--
0006	MPVR43047		EXTENSION CURVED EXTENSION	1,00			--
0007	MPVR40837		COUPLING REDUCTION IMPLEMENT	1,00			--
0008	MPVR28241		PVC ADAPTOR 38/36	1,00			--



Ref. K	Part n.	Part n. 2	Description	Quantity	Validity		Price
					From	To	
0001	MPVR28696		DEFLECTOR 99	1,00			--
0001	MPVR28696		DEFLECTOR 99	1,00			--



Ref. K	Part n.	Part n. 2	Description	Quantity	Validity		Price
					From	To	
0001	MPVR10505		CURVE PLAST DIA 38	1,00			--
0002	MPVR06762		PUSH BUTTON AIR REGULATION G5	1,00			--