

Integrated Professional Cleaning



IPC Foma



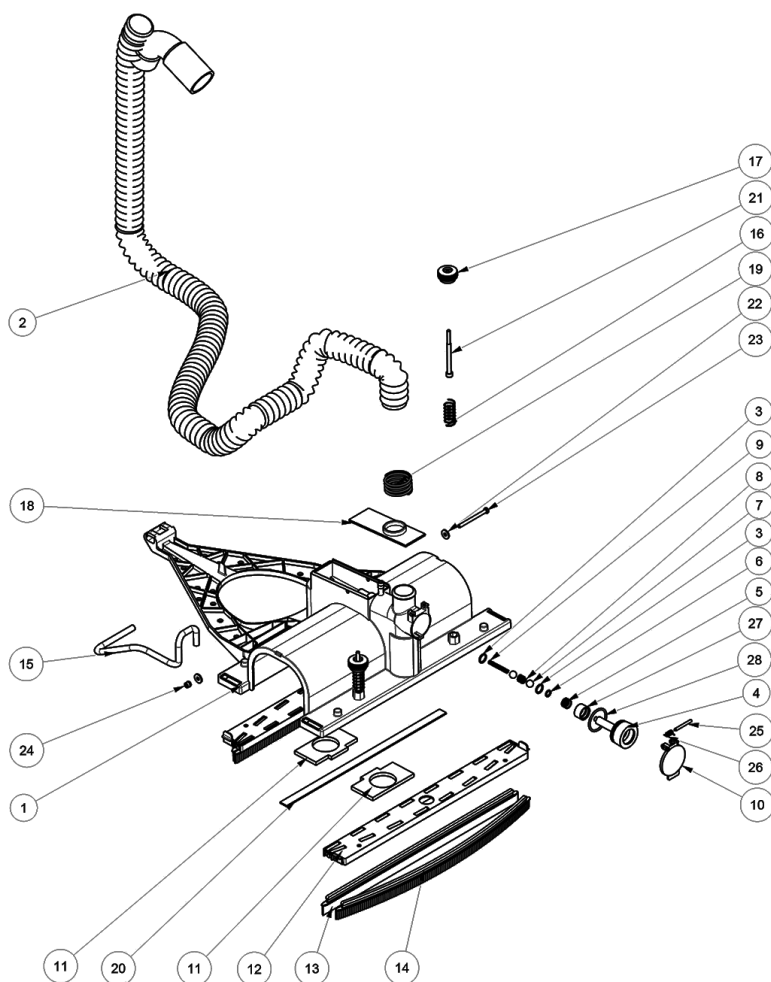
IPC Sverige

Spare Parts List

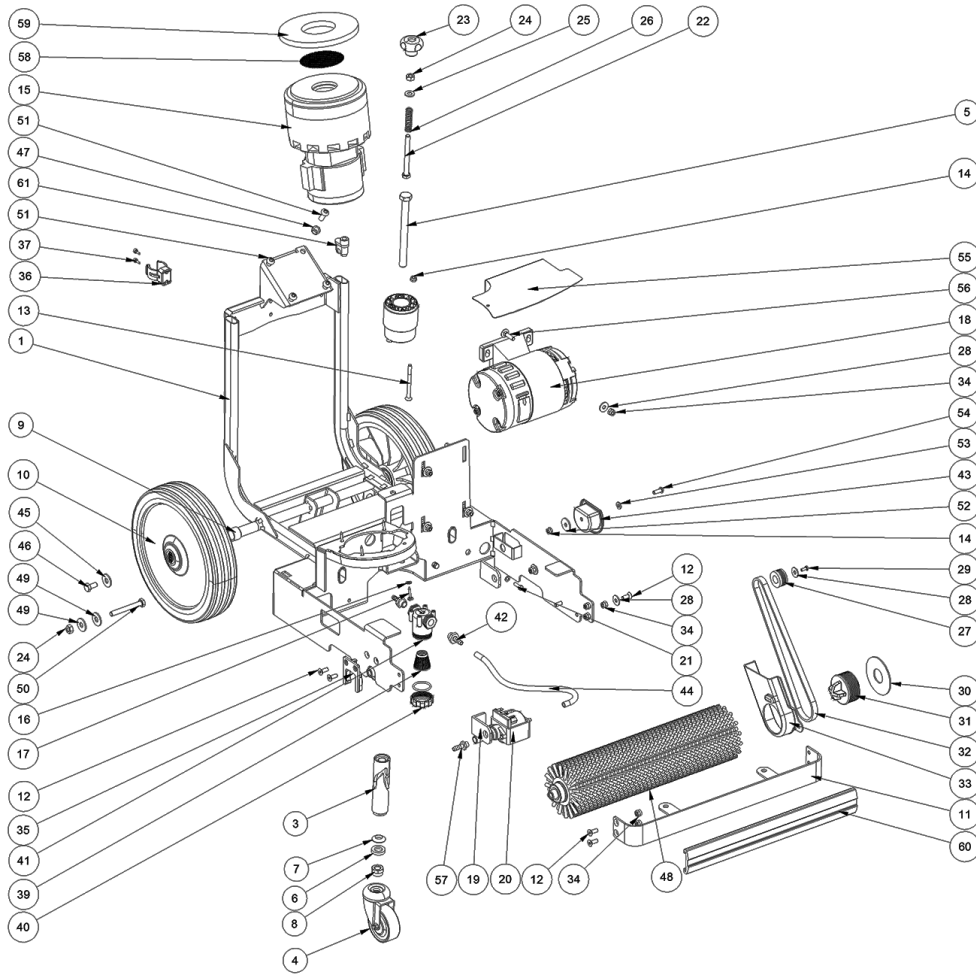
FOMA NORGE AS

Ref: LPTB02862

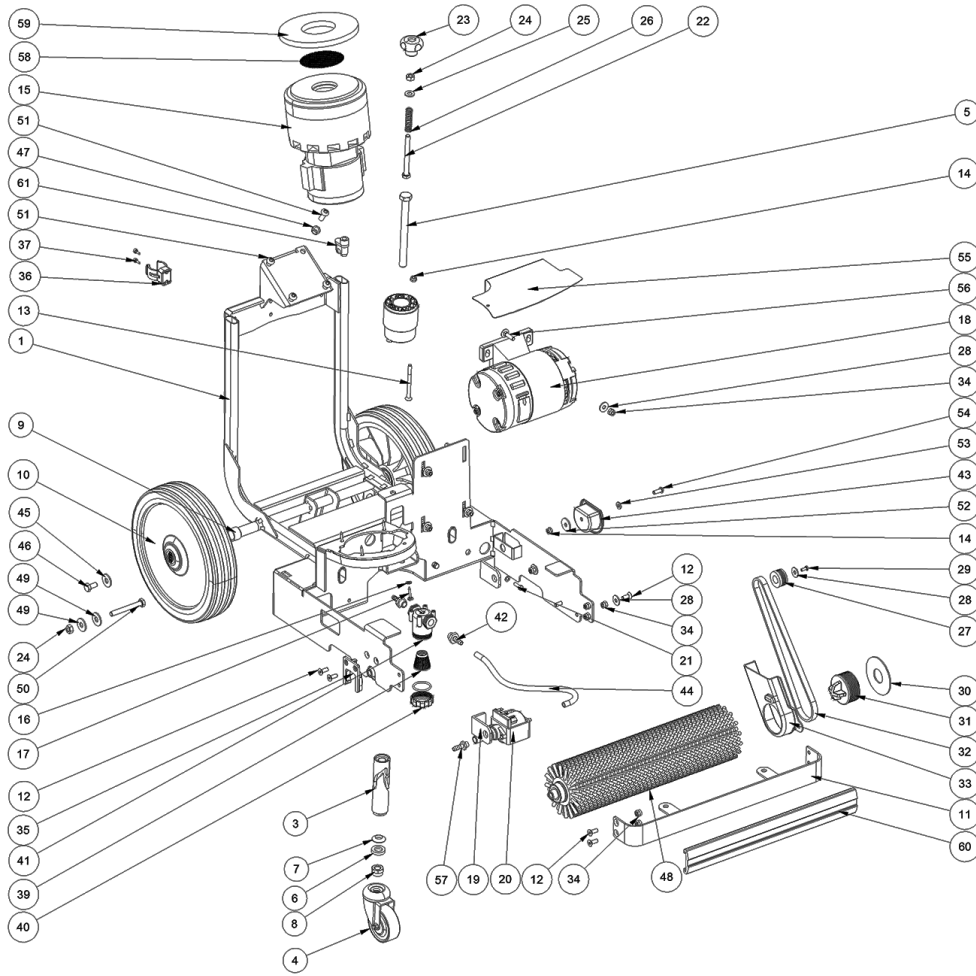
Model: CT15 B35R+BAT GR/VE



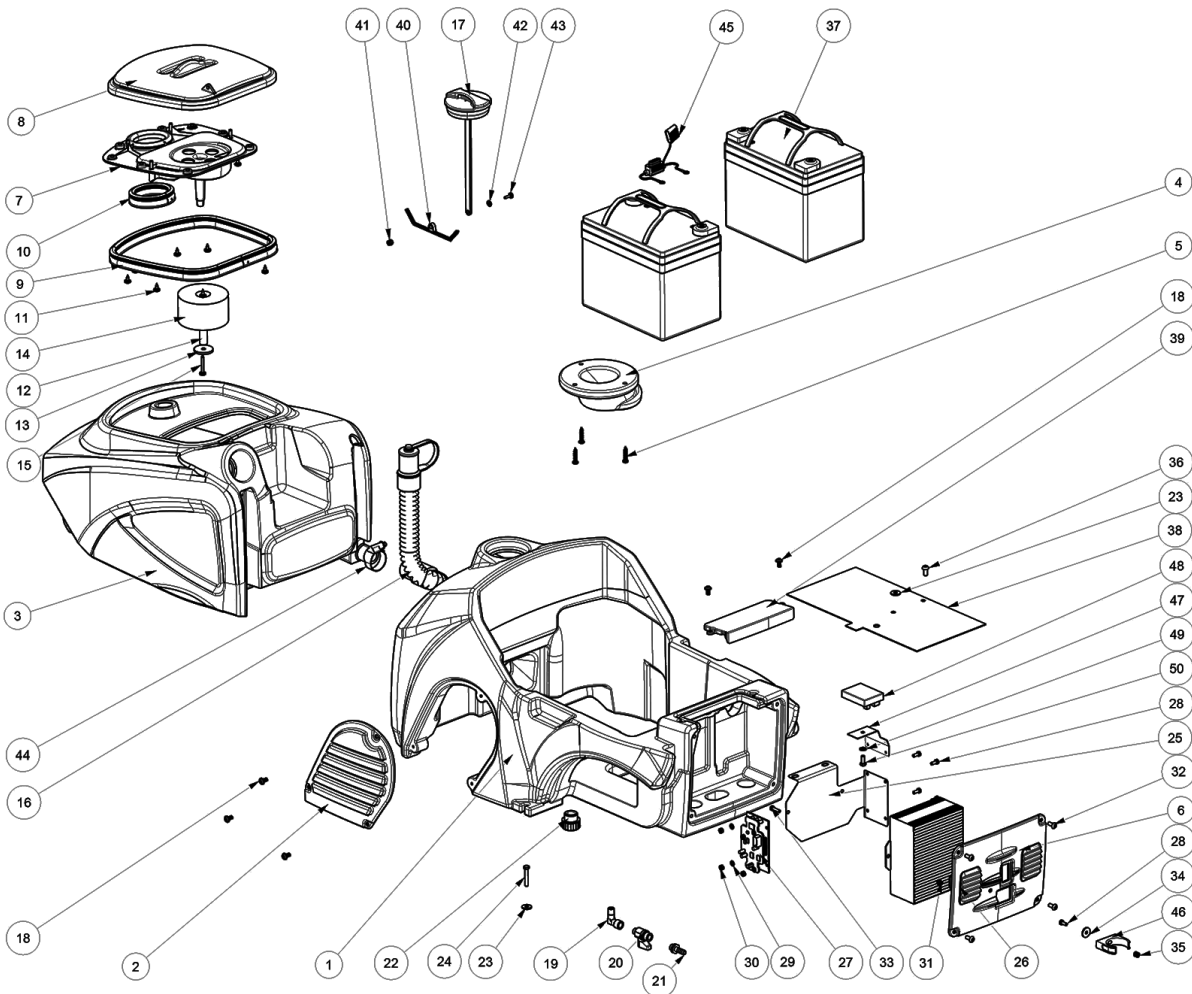
Ref.	K	Part N.	Customer Part N.	Description	Qty	Validity:		Price
						From	To	
0001		MPVR10609		SUPPORT SQUEEGEE	1,00			--
0002		TBFX00376		TUBE -	1,00			--
0003		GUGO00164		GASKET	2,00			--
0004		LAFN05111		PROTECTION ACCESSORIO	1,00			--
0005		RCDS34777		BUSHING D.20 OTT.	1,00			--
0006		GUGO00165		GASKET	1,00			--
0007		SFVR34773		BALL D. 7/16" PPH	2,00			--
0008		MLML00184		SPRING COMPRESSIONE D.10-1	1,00			--
0009		MLML34772		SPRING D. 5 X40	1,00			--
0010		MPVR34711		COVER E 350N	1,00			--
0011		GUGO38416		GASKET E350 II	1,00			--
0012		MPVR10719		SUPPORT BLADE CT15R	1,00			--
0013		MPVR31594		RUBBER H31 E 350N	1,00			--
0014		MPVR10734		FLAP -	1,00			--
0016		MLML00302		SPRING REGISTRAZIONE FLAP	2,00			--
0017		MPVR05627		KNOB -	2,00			--
0018		MPVR02180		CAP	1,00			--
0019		MLML00475		SPRING -	1,00			--
0020		MPVR03455		BRACKET	1,00			--
0021		VTVT01175		SCREW M6x80	2,00			--
0022		VTRS13750		WASHER D. 5X14 INX	2,00			--
0023		VTVT00663		SCREW M5X60	1,00			--
0024		VTDD01693		NUT M 5 INX	1,00			--
0025		VTVR34710		PLUG 4X35	1,00			--
0026		MLML34775		SPRING E350 N	1,00			--
0028		GUGO00488		GASKET -	1,00			--



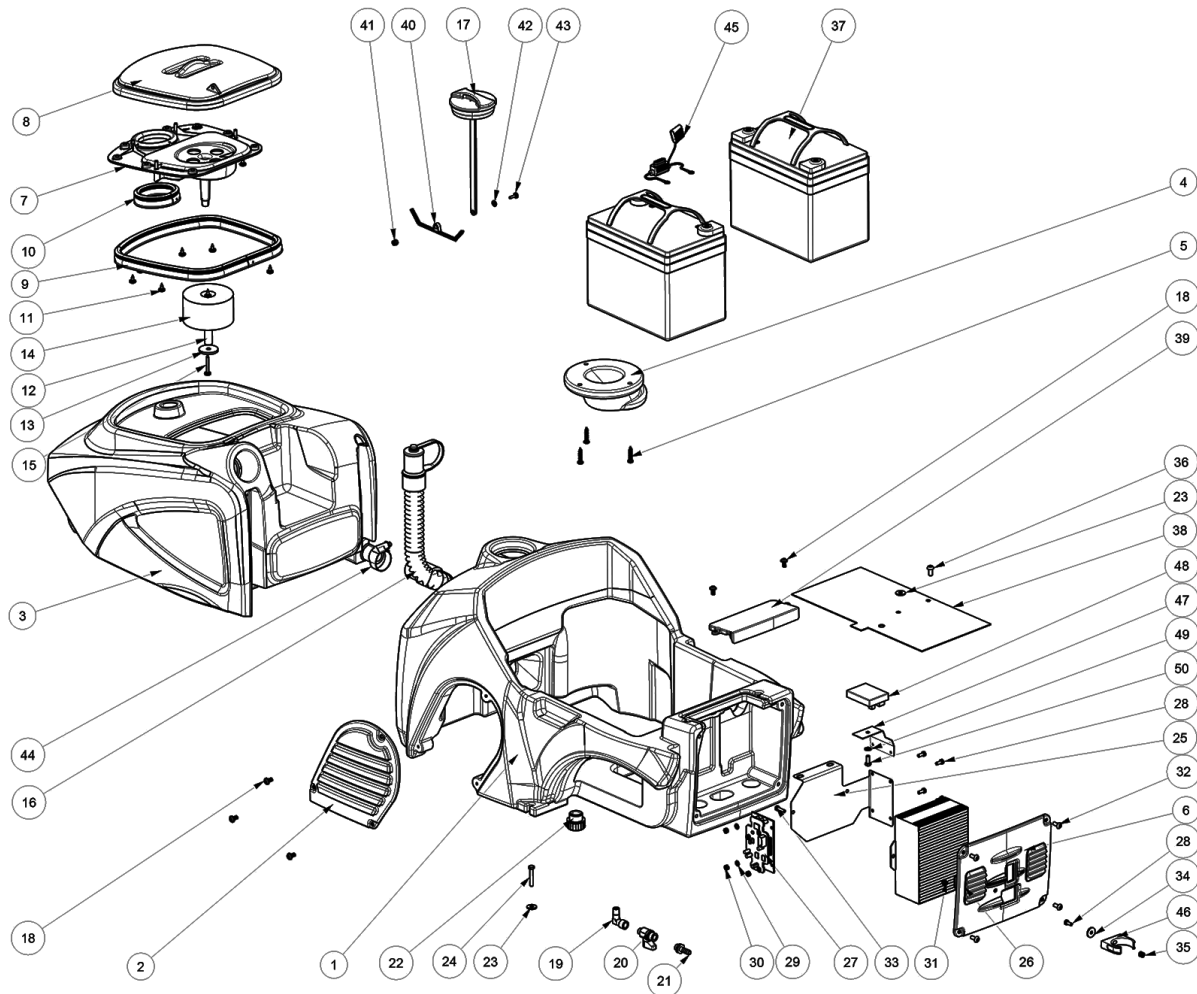
Ref.	K	Part N.	Customer Part N.	Description	Qty	Validity:		Price
						From	To	
0001		LAFN09451		FRAME -	1,00			--
0002		MPVR07136		BUSHING -	1,00			--
0003		MPVR06519		PIN -	1,00			--
0004		RTRT00580		WHEEL -	1,00			--
0005		VTVT00868		SCREW TE M12-140	1,00			--
0006		VTRS00576		WASHER D12	1,00			--
0007		VTRS00575		WASHER D12	1,00			--
0008		VTDD00176		NUT M.12 INOX A2 BASSO AUTOB.	1,00			--
0009		LAFN08915		BUSHING -	2,00			--
0010		RTRT00537		WHEEL GRAY d.250 CT15-30-45	2,00			--
0011		LAFN09452		BUMPER -	1,00			--
0012		VTVT00832		SCREW TSPEI M6X16 INOX	9,00			--
0013		VTVT01160		SCREW M6x65	3,00			--
0014		VTDD01694		NUT M6 INOX	4,00			--
0015		MOCC00397		MOTOR VACUUM CT15-CT30	1,00			--
0016		VTRS00516		WASHER D. 5 INX	6,00			--
0017		VTVT00103		SCREW AUTOF.TC UNI 6954 4,8X22	4,00			--
0018		MOCC00451		MOTOR -	1,00			--
0019		ABGO00010		SUPPORT ANTIVIBRANTE POMPA L15-20	2,00			--
0020		PPEL00028		PUMP 24V	1,00			--
0021		VTVT07725		SCREW TE 5X16 UNI5739 INX	2,00			--
0022		VTVT00734		SCREW TE M. 8-80	1,00			--
0023		VTVR35378		HANDWHEEL F 8MAX20 D.40	1,00			--
0024		VTDD15521		NUT M 8 INX A2 UNI 5588	2,00			--
0025		VTRS13947		WASHER D. 8 INX UNI 6592	1,00			--
0026		MLML00033		SPRING ALZAFLAP SILVER ZB	1,00			--
0027		MTPL31027		PULLEY POLY-V J4	1,00			--
0028		VTRS13945		WASHER D. 6X18 INX UNI 6593	7,00			--
0029		VTVT01303		SCREW TE M6-10 INOX	1,00			--
0030		LAFN34719		DISC E 350	1,00			--
0031		MPVR04119		PULLEY TRASC.RULLO350	1,00			--
0032		MTGC31927		BELT J4 559	1,00			--
0033		MPVR34721		CRANKCASE E 350N	1,00			--
0034		VTDD15518		NUT M 6 INX	6,00			--
0035		MPVR31929		SUPPORT E 350 N	1,00			--
0036		MPVR06412		SUPPORT -	1,00			--
0037		VTVT00089		SCREW TCCE UNI 5931 4X10 ZB	2,00			--
0038		GUGO00446		O-RING -	1,00			--
0039		MPVR07071		FILTER CT15	1,00			--



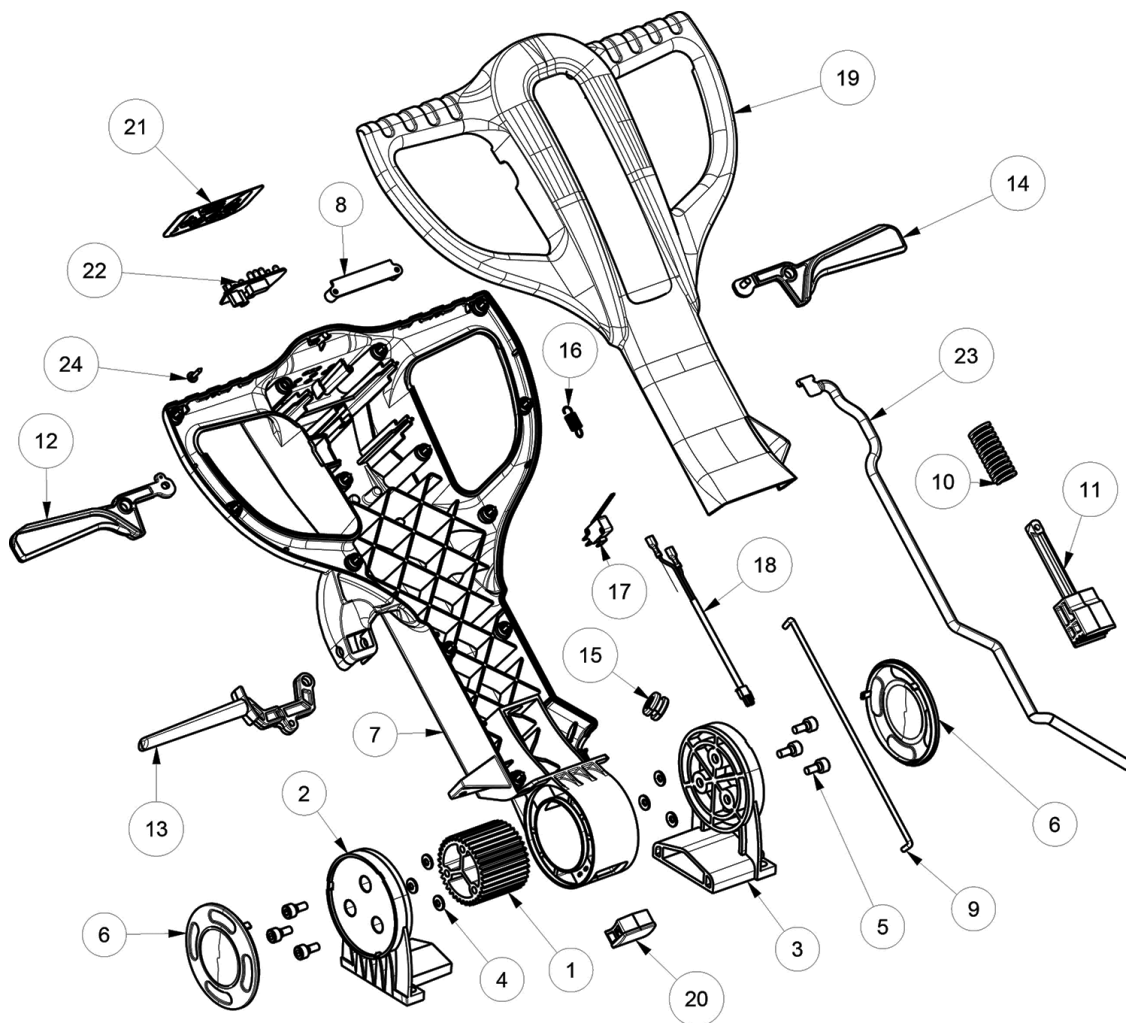
Ref. K	Part N.	Customer Part N.	Description	Qty	Validity:		Price
					From	To	
0040	MPVR07069		CAP CT15	1,00			--
0041	MPVR07070		BODY CT15	1,00			--
0042	RCVR00786		CONNECTOR -	2,00			--
0043	MPVR06520		COVER -	1,00			--
0045	VTRS00512		WASHER D. 8 X24 ZC.	2,00			--
0046	VTVT01110		SCREW TE 8X16 UNI5739	2,00			--
0047	VTDD00124		NUT M 8 BASSO	4,00			--
0048	SPPV01552		BRUSH CT15R	1,00			--
0049	VTRS13946		WASHER D. 8 X24 INX UNI 6593	2,00			--
0050	VTVT00757		SCREW	1,00			--
0051	VTVT75724		SCREW TBEI M 8X 22 ISO 7380 ZB	4,00			--
0052	VTRS63242		WASHER D. 6 X24 ZC	1,00			--
0053	VTRS00503		WASHER D. 6 TE UNI 6798	1,00			--
0054	VTVT00787		SCREW TBEI M 6-16	1,00			--
0055	LAFN11012		BRACKET -	1,00			--
0056	VTVT00711		SCREW TTQ	4,00			--
0057	RCVR00004		CONNECTOR PORTAGOMMA 1/8" D.7	1,00			--
0058	LAFN05830		NET FERMA FILTRO INOX	1,00			--
0059	GUGO00503		GASKET	1,00			--
0060	MPVR10741		BUMPER -	1,00			--



Ref.	K	Part N.	Customer Part N.	Description	Qty	Validity:		Price
						From	To	
0001		MPVR06515		TANK -	1,00			--
0002		MPVR06517		CRANKCASE -	1,00			--
0003		MPVR05823		TANK RECOVERY CT15	1,00			--
0004		MPVR06516		FLANGE -	1,00			--
0005		VTVT00875		SCREW TC+ 5X25	3,00			--
0006		MPVR05828		COVER -	1,00			--
0007		MPVR05826		COVER -	1,00			--
0008		MPVR05825		COVER -	1,00			--
0009		GUVR00306		GASKET -	1,00			--
0010		GUVR00307		GASKET -	1,00			--
0011		VTVT01694		SCREW TCB TC 5 X10 UNI 9707 TZ	8,00			--
0012		LAFN07923		SPACER -	1,00			--
0013		VTRS00573		WASHER 30x6x3	1,00			--
0014		MPVR06005		FLOATER CT15-CT30 ZAOH	1,00			--
0015		VTVT01197		SCREW TCIC 4,8X31	1,00			--
0016		TBFX00346		TUBE DRAIN RECOVERY TANK CT15	1,00			--
0017		MPVR05188		CAP -	1,00			--
0018		VTVT01432		SCREW 50X10	3,00			--
0019		RCVR34780		ELBOW 1/8" M/F A10	1,00			--
0020		RCGR00008		VALVE A SFERA MF 1/8"	1,00			--
0021		RCVR00004		CONNECTOR PORTAGOMMA 1/8" D.7	1,00			--
0022		MPVR08003		CAP -	1,00		11/2016	--
0022		MPVR10774		CAP 1/2"	1,00	11/2016		--
0023		VTRS13945		WASHER D. 6X18 INX UNI 6593	2,00			--
0024		VTVT00433		SCREW TE M 6X 30 UNI 5739 INX	2,00			--
0025		LAFN08893		PLATE -	1,00			--
0026		BACA00152		BATTERY-CHARGERCBHD1 24V 5A	1,00			--
0027		MECE00742		BOARD POWER CT15-30-45B-BT	1,00			--
0028		VTVT09841		SCREW TE M 4X 10 ZC. UNI 5739	4,00			--
0029		VTRS00377		WASHER M4	4,00			--
0030		VTDD04368		NUT M 4 ZIN UNI 5588	4,00			--
0031		VTDD04369		NUT M 4 TEF UNI 7473	2,00			--
0032		VTVT75733		SCREW TBEI M 5X 12 ISO 7380 ZB	4,00			--
0033		VTVT29884		SCREW TE M 4X 16 UNI 5739	1,00			--
0034		VTRS00251		WASHER 4-16 INOX A2	1,00			--
0035		VTDD15925		NUT M 4 INX	1,00			--
0036		VTVT00640		SCREW TBEI M 6-12 INOX	2,00			--
0037		BAAC00114		BATTERY 12V 29Ah/C5 CT15	2,00			--
0038		MPVR05907		PROTECTION	1,00			--



Ref. K	Part N.	Customer Part N.	Description	Qty	Validity:		Price
					From	To	
0039	MPVR06518		COVER -	1,00			--
0040	MPVR08038		PLATE CT15-30	1,00			--
0041	VTDD00055		NUT M 4 ATB A2	1,00			--
0042	VTRS00515		WASHER D. 4 INX	1,00			--
0043	VTVT15965		SCREW TCB-TC 4X12 UNI7687 INX	1,00			--
0044	FSVR00002		CLAMP EKOFLEX 9 23-35	1,00			--
0045	MECB01358		WIRING WITH FUSE HOLDER CT15B	1,00			--
0046	MPVR06568		HOSE COLLAR -	1,00			--
0047	LAFN11011		BRACKET -	1,00			--
0048	MECE00621		BOARD	1,00			--
0049	VTRS00501		WASHER D. 4 0.232 UNI 6592	1,00			--
0050	VTVT09841		SCREW TE M 4X 10 ZC. UNI 5739	1,00			--



Ref.	K	Part N.	Customer Part N.	Description	Qty	Validity:		Price
						From	To	
0001		MPVR06056		GEAR -	1,00			--
0002		MPVR06053		SHELL DX	1,00			--
0003		MPVR06054		SHELL SX	1,00			--
0005		VTVT00876		SCREW TCEI M.8-16	6,00			--
0006		MPVR06055		COVER -	2,00			--
0007		MPVR06047		CRANKCASE -	1,00			--
0008		MPVR06298		COVERING CT55	1,00			--
0009		LAFN09221		LEVER RINVIO	1,00			--
0010		MLML00337		SPRING -	1,00			--
0011		MPVR06052		HANDLE SUPPORT	1,00			--
0012		MPVR06049		LEVER DX	1,00			--
0013		MPVR06050		LEVER ADJUSTMENT	1,00			--
0014		MPVR06048		LEVER SX	1,00			--
0015		MPVR06057		FAIR-LEAD -	1,00			--
0016		MLML00336		SPRING -	1,00			--
0017		MECI36393		MICROSWITCH TRZ. DRW	1,00			--
0018		MECB01324		WIRING PUSH BOTTON CT45 C	1,00			--
0019		MPVR06046		CRANKCASE -	1,00			--
0020		MPVR06297		COVERING CT55	1,00			--
0021		ETET01842		LABEL -	1,00			--
0022		MECE00605		BOARD LOGIC CT30 24V	1,00			--
0023		MECB01396		WIRING	1,00			--
0024		VTVT01371		SCREW 4,8X19	14,00			--